

KOMFORT PARTITIONS & CEILINGS

Komfire 75, Kameo 75 & Mirage 75mm performance partition systems



Komfire 75 & Kameo 75

There are many facets to the characters of Komfire and Kameo 75. Similar in composition, Komfire offers the designer a distinct angular style, whilst Kameo incorporates the softer lines of radiused corners. When it comes to safety issues, both partitioning systems set the standard with their tremendous acoustic performance and fire protection.

Established, attractive and versatile, Komfire and Kameo 75 may be introduced as the solution to almost any office interior requirement.

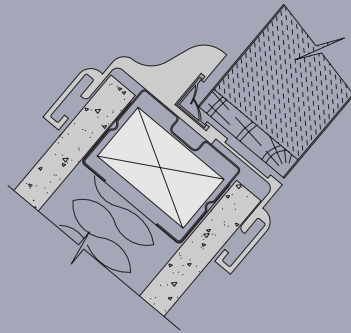
Banded glazed Kameo 75
with film manifestation



Double glazed Kameo 75
with both single and
double doors

Both Komfire and Kameo 75 are of steel stud and plasterboard construction surrounded by an aluminium framework. This framework, together with the finishing trims, may be sprayed in any BS or RAL colour to complement each design.

It is even possible to produce a continuity of style and colour shade throughout a project by attaching the skirting, in either aluminium or plastic secret fix, to the building core walls.



Kameo 75 door frame

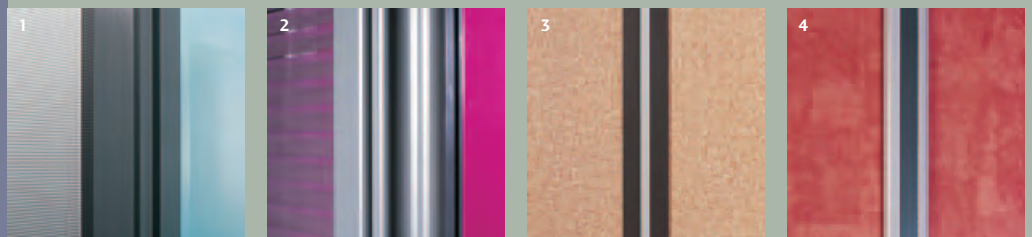


Combination of solid
and door head height
glazed modules with
applied manifestation



2 Komfire 75, Kameo 75 & Mirage Komfort Workspace

- 1 Komfire door frame
- 2 Kameo door frame
- 3 Top Hat cover trim with plastic insert
- 4 Kameo cover trim

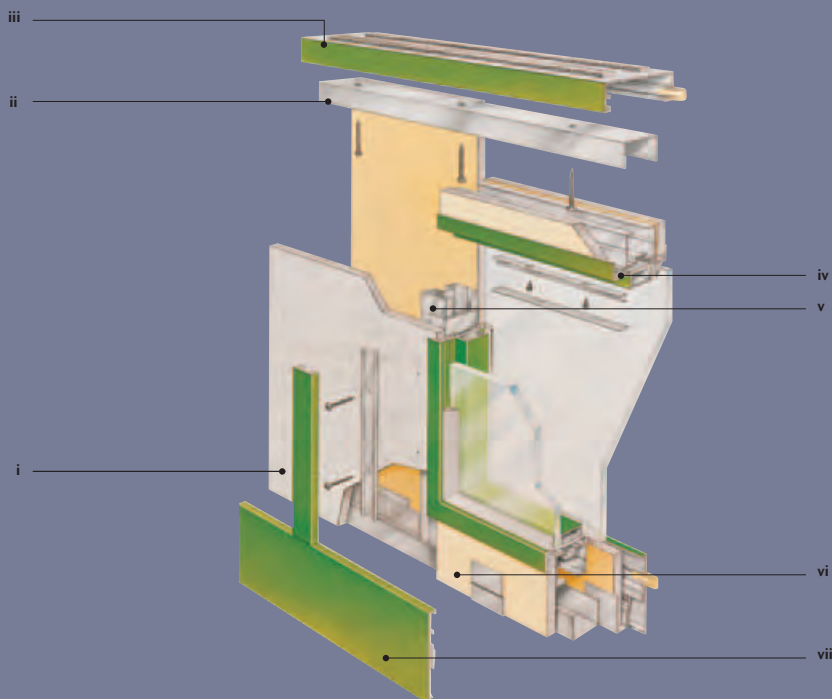


Komfire/Kameo 75

Fire BS476: Part 22			Sound dB (Rw) to BS EN ISO 140-3			Strength
Solid & Glazed	Doorset	Fire Glass	Solid	Single Glazed	Double Glazed	Duty Level to BS5234
30 mins	FD30	3.24m ²	43	36	40	Medium at 2.7m high

Komfire 100

Fire BS476: Part 22			Sound dB (Rw) to BS EN ISO 140-3			Strength
Solid & Glazed	Doorset	Fire Glass	Solid	Single Glazed	Double Glazed	Duty Level to BS5234
60 mins	FD60	3.43m ²	52 Soundbloc	36	40	Severe at 2.7m high



Komfire/Kameo 75

- i Clip-on cover trim
- ii Steel track
- iii Head channel
- iv Pre-assembled window frame
- v Steel stud
- vi Skirting clip
- vii Clip-on skirting

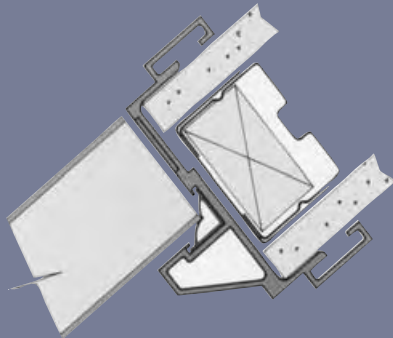


The atrium effect is created using a double lift of Komfire 100

As previously mentioned, performance is a key benefit of both partitioning systems. The current test ratings for fire and sound are 30 minutes and 43dB (Rw) respectively. For the performance plus factor, however, Komfire is available as a 100mm thick double skinned system. In this form it provides 1 hour fire resistance in both solid and glazed modules, together with an acoustic attainment of up to 52dB (Rw).

Without doubt their exceptional functionality has made Komfire and Kameo the most popular systems in the UK today.

Komfire 75 door frame



Komfire doorframe surrounding full height glass door

Full height silicone jointed glazing with applied film



Mirage

Characterised by its curvaceous corners and flowing lines, Mirage brings a distinct personality to working space. Mirage is repeatedly chosen both for its good looks and its exceptional practicality. Features including total relocatability, strong sound and fire performance and speed of installation complement its aesthetic appeal.

Embraced by designers for its sophisticated product detailing, Mirage creates stimulating office environments to surpass the most demanding of clients' aspirations.

Mirage is a gravity hung panel system which utilises pre-decorated plasterboards for speedy on-site construction.

The system has been cleverly designed to use pre-punched steel stud and twistlock transoms which do not require any fixings. The panels are simply hung using a special clip detail to provide tight joints yet allow easy removal if required.

**Double glazed Mirage
with integral blinds along
the corridor run**

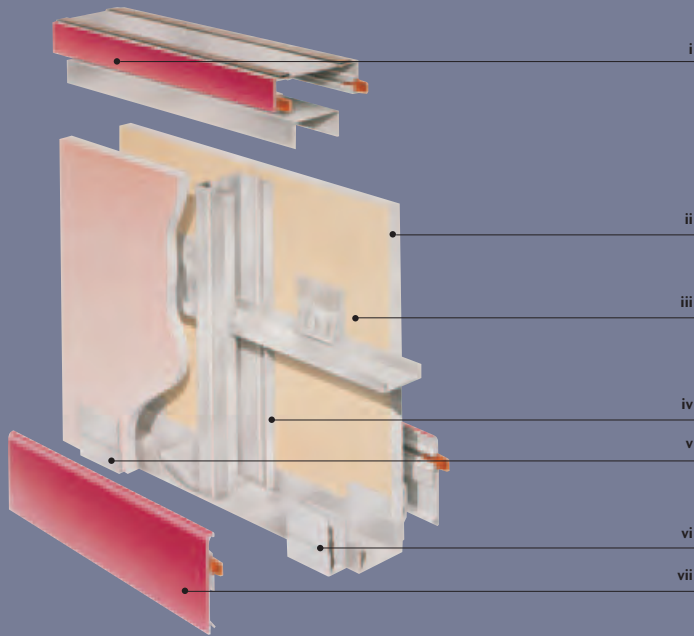


Alternate solid and single centre glazed panels create this corporate gym area

To ease on-site construction, glazing frames are factory assembled.

Mirage offers full relocatability, 30 minutes fire resistance and achieves 45dB (Rw) acoustic performance in its solid form.

The radiused aluminium framework may be sprayed in any BS or RAL colour to create dramatic or subtle effects. This together with its variety of glazed modules, door options and finishes, ensures that Mirage is always a popular choice.



Mirage

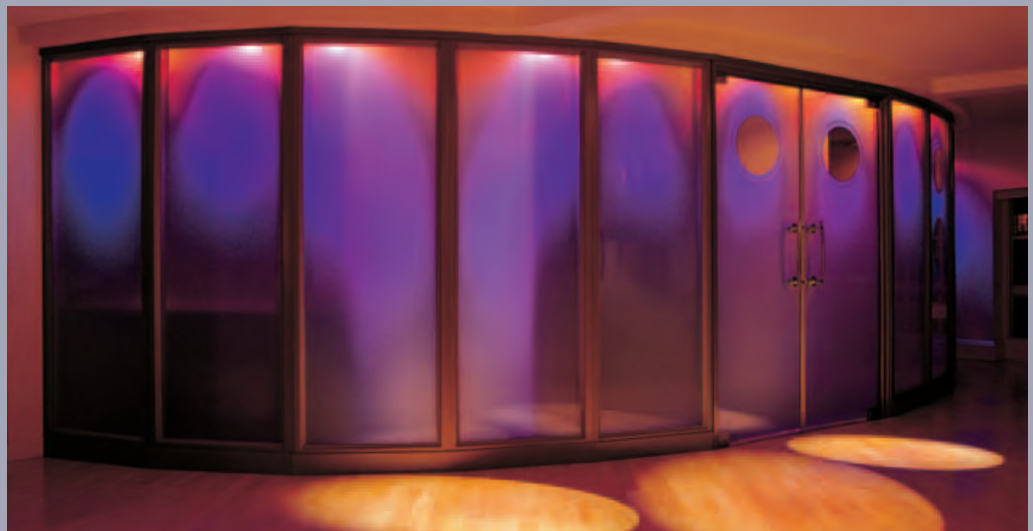
- i Head channel
- ii Solid panel
- iii Plasterboard clip
- iv Steel stud
- v Skirting clip
- vi Steel floor track
- vii Clip-on skirting



Bevelled edge 'V' board detail

Mirage						
Fire BS476: Part 22			Sound dB (Rw) to BS EN ISO 140-3			Strength
Solid & Glazed	Doorset	Fire Glass	Solid	Single Glazed	Double Glazed	Duty Level to BS5234
30 mins	FD30	3.24m²	46	36	40	Medium at 2.7m high

Faceted double glazed Mirage with full height glass double doors



Komfort Workspace plc Sales Offices - UK

Crawley

Whittle Way
Crawley
West Sussex
RH10 9RT

Tel +44 (0)1293 592500
Fax +44 (0)1293 553271
Email general@komfort.com

Birmingham

Globe House
Parkrose Industrial Estate
1 Middlemore Road, Smethwick
Birmingham B66 2DR

Tel +44 (0)121 555 0300
Fax +44 (0)121 555 0301
Email midland-sales@komfort.com

Andover

Reith Way
West Portway
Andover
Hampshire
SP10 3TY

Tel +44 (0)1264 332166
Fax +44 (0)1264 333560
Email sales.dept@screenbase.co.uk

Edinburgh

The Hibernian Football Club Ltd
West Stand
12 Albion Place
Edinburgh EH7 5QG

Tel +44 (0)131 661 7010
Fax +44 (0)131 661 5768
Email scotland-sales@komfort.com

Leeds

Unit 2
Intermezzo Drive
Stourton Link
Leeds LS10 1RU

Tel +44 (0)113 395 6565
Fax +44 (0)113 395 6566
Email northern-sales@komfort.com

Dublin

First Floor
Block 43a
Park West Business Park
Nangor Road
Dublin 12

Tel +353 (0)1 623 6179
Fax +353 (0)1 623 6197
Email dublin-sales@komfort.com

Show Suite Locations

Gatwick International
London - City
Birmingham
Manchester
Leeds
Edinburgh
Dublin

National Specifier Support Line
Tel: 0870 241 0382



Komfort group factories have third party assessment and accreditation for ISO14001 (Environmental Management System) and FSC (Forestry Stewardship Council) and support local communities providing employment opportunities in factory conditions with a strong emphasis on health and safety management (ISO18001).

Komfort Workspace plc, as part of SIG plc (Commercial Interiors Division), sources veneer and MFC components from group factories which have been assessed by BM Trada Certification Ltd for FSC Chain of Custody Certification.



Printed on Revive Special Silk which is made from recycled post consumer waste and virgin fibres and is independently certified according to the rules of the Forest Stewardship Council

